

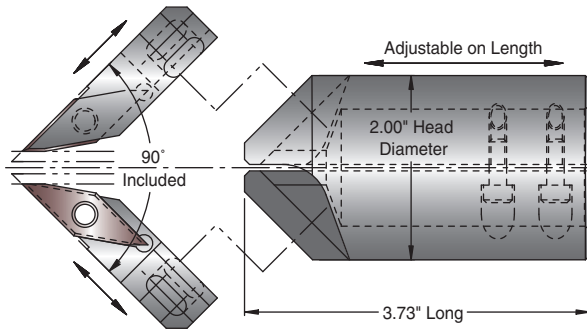
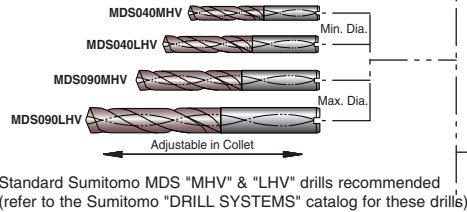
ER20 sumiChamfer™ Systems

For Hole Sizes: 4mm - 9mm (0.1563" - 0.3543") Diameter

ER20 Collet Chuck Assemblies

Please Note: Standard ER COLLETS are NOT included with Collet Chuck assembly. (refer to the Sumitomo "DRILL SYSTEMS" Catalog for Standard and Coolant Collets)

Drills For ER20 Systems



ER20 Cartridges

Adjustable for various drill diameters within the ER20 size specified RANGE. Scale is enlarged 2x for clarity (as compared to Chamfer Head)

ER20 Inserts:

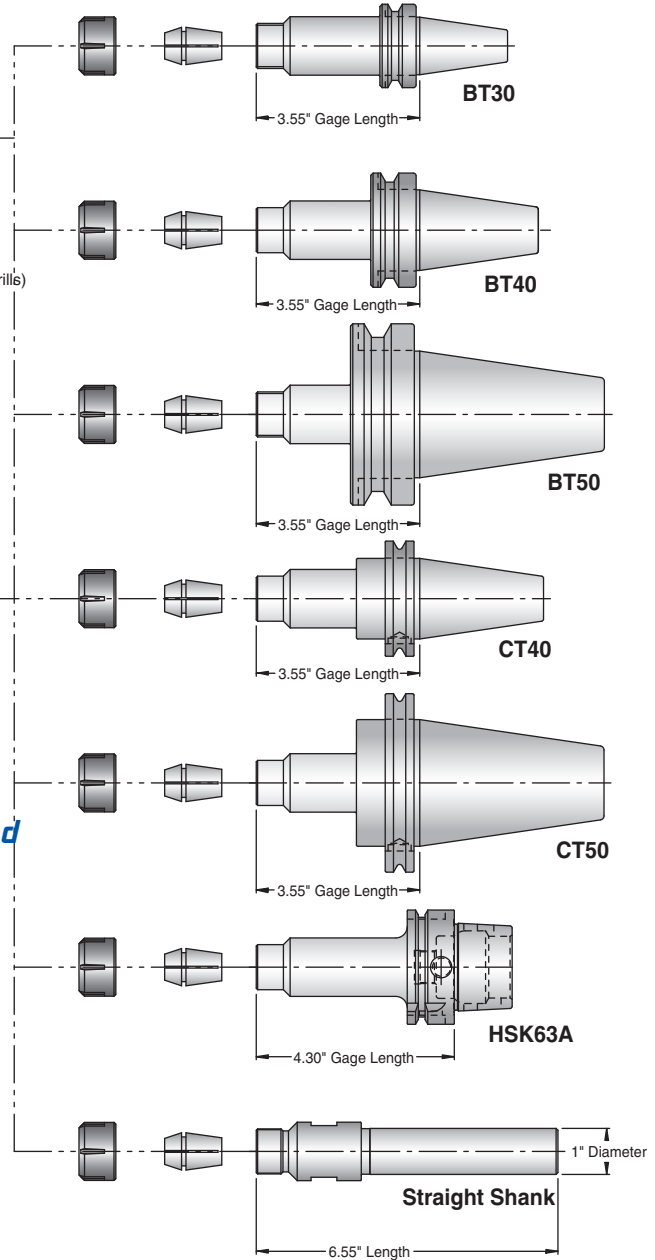
VPGW1103DC RFX (Chipbreaker Style) or VPGW1103DC (Non-Chipbreaker Style) Scale is enlarged 2x for clarity (as compared to Chamfer Head)

sumiChamfer ER20™ System:

Sumitomo Cat. No.	Item Description
DC5100-ER20	ER20 Chamfer Head

Sumitomo Cat. No.	Item Description
DC104-ER20	Chamfer Cartridge ER20 (2) Required

Inserts Required (2)
VPGW1102DC RFX or VPGW1102 DC



MDS

KDS

WDS

SMD

sumi
Chamfer™

Drill
Adapters
& Holders

ER20 "DC" Type Collet Chucks

Sumitomo Cat. No.	Item Description
DC-ER20-B30	BT30 ER20 Collet Chuck
DC-ER20-B40	BT40 ER20 Collet Chuck
DC-ER20-B50	BT50 ER20 Collet Chuck
DC-ER20-V40	CAT40 ER20 Collet Chuck
DC-ER20-V50	CAT50 ER20 Collet Chuck
DC-ER20-H63A	HSK63A ER20 Collet Chuck
DC-ER20-SS	Straight Shank ER20 Collet Chuck

NOTE: ONLY Sumitomo "DC" Type Collet Chucks (above) can be used for sumiChamfer™ Systems. Ball Bearing Nosepiece included with "DC" Collet Chucks as STANDARD. Collets are NOT included.